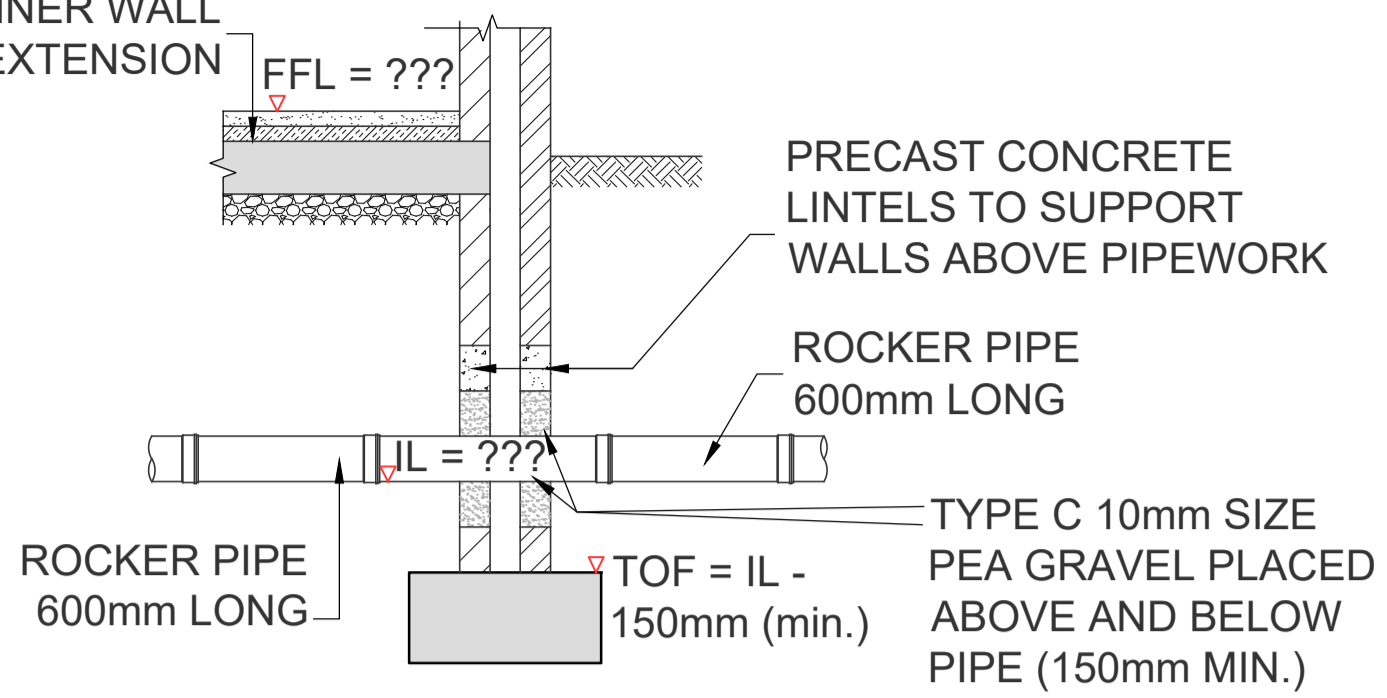


PROPOSED FLOOR CONSTRUCTION
BUILT ONTO / RESTS ON INNER WALL
OF THE PROPOSED EXTENSION

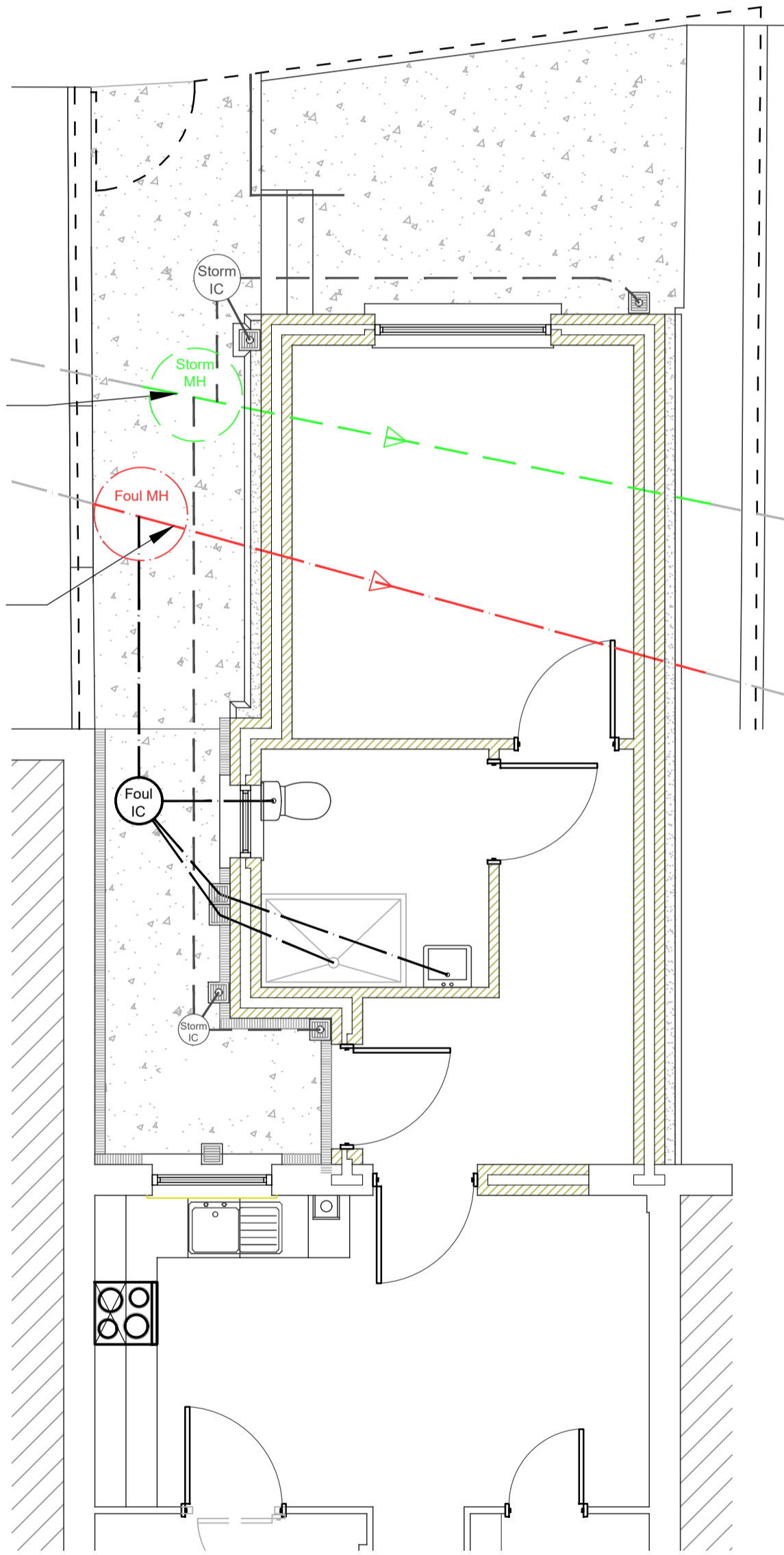
NOTE:
INDICATIVE LEVELS TO OS
DATUM ARE TO BE PROVIDED
FOR THE PROPOSED FINISHED
FLOOR LEVEL (FFL), INVERT
LEVEL (IL) OF THE SEWER
PIPELINES AND TOP OF
FOUNDATION (TOF) LEVEL.



TYPICAL PIPE THRU' WALL DETAIL
SCALE: 1:25

EXISTING CLAY STORM SEWER
UNDER EXTENSION TO BE
REPLACED WITH A UPVC STORM
SEWER (COLOURED GREEN).
INDICATIVE DEPTH OF THE ***MMØ
PIPE = ***M WITH BOTH PROPOSED
AND EXISTING CONNECTIONS
MADE TO A NEW 1200MMØ PC RING
FITTED WITH A 675MM X 675MM
MEDIUM DUTY CAST IRON LID.

EXISTING CLAY FOUL SEWER
UNDER EXTENSION TO BE
REPLACED WITH A UPVC FOUL
SEWER (COLOURED RED).
INDICATIVE DEPTH OF THE ***MMØ
PIPE = ***M WITH BOTH PROPOSED
AND EXISTING CONNECTIONS
MADE TO A NEW 1200MMØ PC RING
FITTED WITH A 675MM X 675MM
MEDIUM DUTY CAST IRON LID.



TYPICAL BUILDOVER PROPOSED SITE PLAN
SCALE: 1:50

STORM DRAINAGE SYSTEM (COLOURED GREEN):
BETWEEN THE UPSTREAM OF THE NEW STORM
MANHOLE TO THE DOWNSTREAM SIDE OF THE
PROPOSED CONNECTION THE EXISTING ***MMØ
CLAY PIPE BETWEEN THESE POINTS ARE TO BE
REPLACED WITH A ***MMØ UPVC PIPEFITTED WITH
ADAPTORS / FLEXIBLE COUPLERS AT EITHER END
TO CONNECT THE NEW UPVC PIPE TO THE
EXISTING CLAY PIPE.

FOUL DRAINAGE SYSTEM (COLOURED RED):
BETWEEN THE UPSTREAM OF THE NEW FOUL
MANHOLE TO THE DOWNSTREAM SIDE OF THE
PROPOSED CONNECTION THE EXISTING ***MMØ
CLAY PIPE BETWEEN THESE POINTS ARE TO BE
REPLACED WITH A ***MMØ UPVC PIPE FITTED WITH
ADAPTORS / FLEXIBLE COUPLERS AT EITHER END
TO CONNECT THE NEW UPVC PIPE TO THE
EXISTING CLAY PIPE.

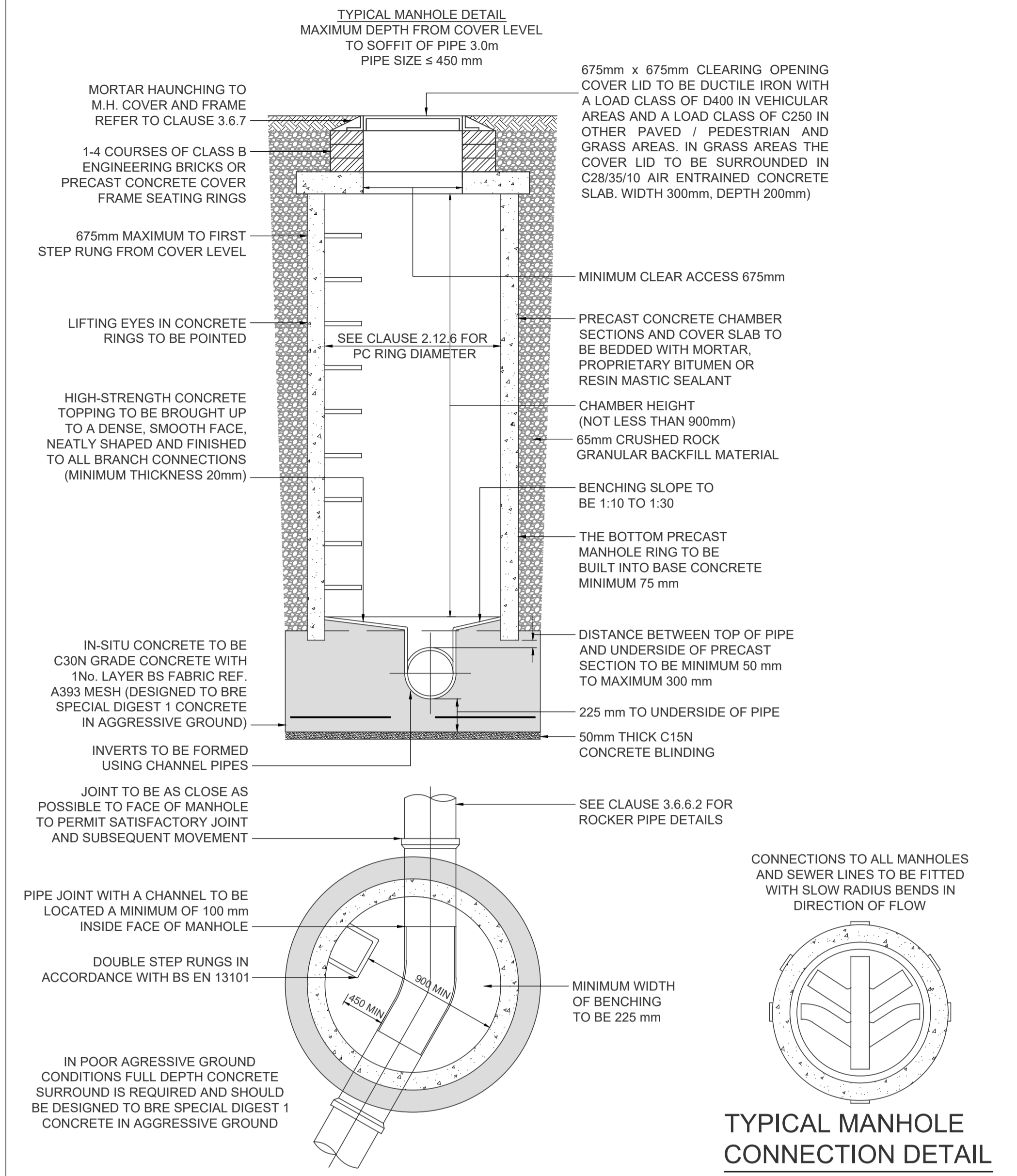
MANHOLE DETAILS:
ALL MANHOLES TO BE CONSTRUCTED TO THE
CURRENT NI WATER SPECIFICATION I.E. 1200MMØ
PC RINGS FITTED WITH A 675MM X 675MM MEDIUM
DUTY (MINIMUM ACCEPTABLE) CAST IRON LID.

**450MMØ PREFORMED UPVC BASES AND
INSPECTION CHAMBERS ARE STRICTLY
FORBIDDEN TO BE USED ON ANY NI WATER
INFRASTRUCTURE.**

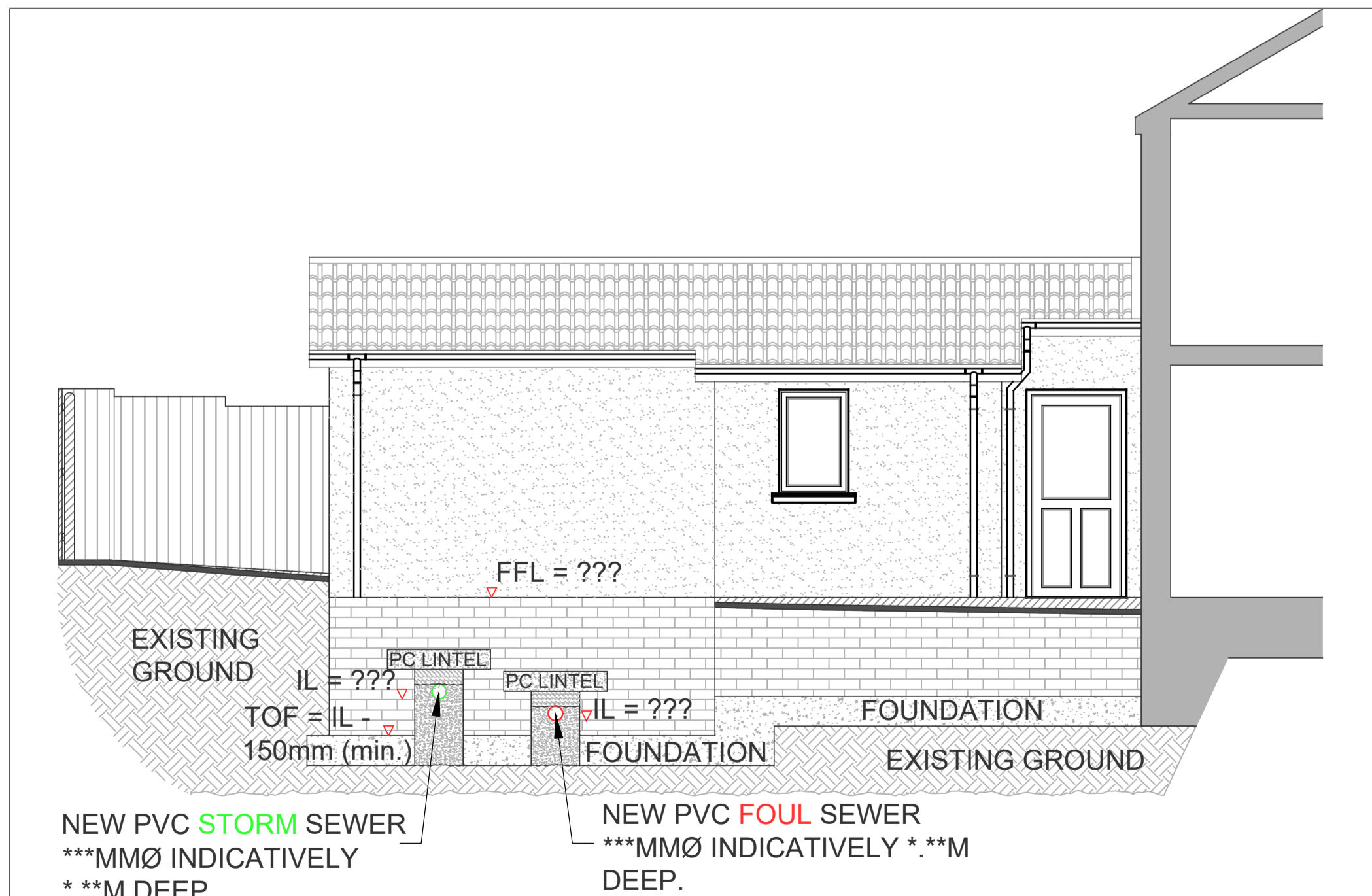
EXISTING DRAINAGE:
GIVEN THAT THE EXISTING DRAINAGE MUST BE
MAINTAINED THE PROPOSED CONTRACTOR IS TO
ENSURE THAT NO DAMAGE (INCLUDING EXISTING
MANHOLE COVER LIDS) OR BLOCKAGES OCCUR
DURING THE CONSTRUCTION WORKS TO THE
EXISTING FOUL AND STORM SEWERS. ANY
DAMAGES WILL REQUIRE REPLACEMENT IN
COMPLIANCE WITH NI WATER STANDARDS.

EXTENSION FOUNDATIONS:
NEW FOUNDATIONS OF THE PROPOSED
EXTENSION WITHIN 1.0M EITHER SIDE OF
EXISTING SEWER PIPELINES (SUBJECT TO THE
DEPTH OF THE PIPELINE TO BE BUILT OVER) ARE
TO BE TAKEN DOWN TO A SUITABLE SUBSOIL
BEARING STRATA AT LEAST 150MM BELOW THE
INVERT LEVEL OF THE PIPELINE TO BE BUILT
OVER.

ANY NI WATER PIPELINES PASSING UNDER THE
PROPOSED EXTENSION WALLS ARE TO HAVE
PRECAST CONCRETE LINTELS PLACED 150MM
ABOVE THE SOFFIT OF THE PIPELINE.



TYPICAL MANHOLE CONSTRUCTION DETAIL
SCALE 1:25



TYPICAL BUILDOVER PROPOSED ELEVATION SECTION PLAN
SCALE: 1:50